

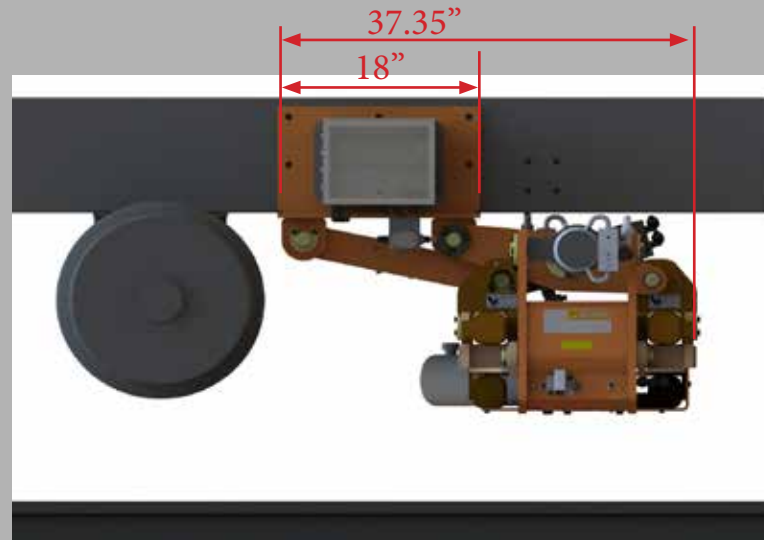
The Rail Brake is a braking system for rail service vehicles.

The Rail Brake

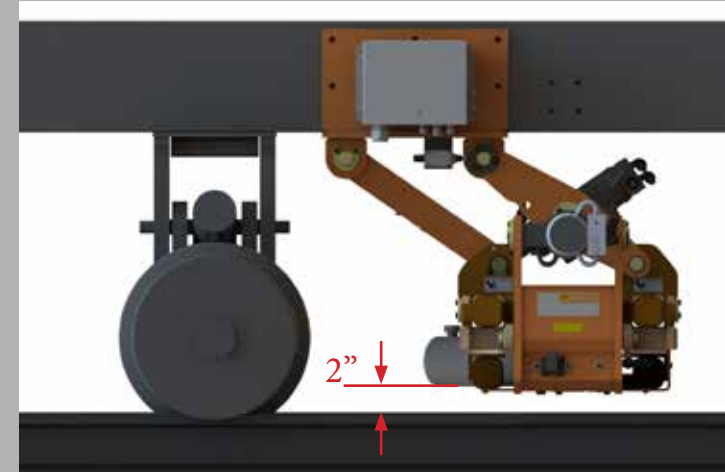
- System bolts to existing truck frame
- Self-contained 12VDC package
- Operated from inside the cab or panels on truck body
- Hydraulically articulated stow/deploy function
- Mounted at rear of truck
- Hydraulic cylinder provides clamping forces
- Useable in both forward and reverse rail travel directions
- Clamp to match railhead profile: This provides a wedging effect as well as providing optimal friction coefficients under a variety of conditions (water, grease, ice, etc.)

Rail Brake Gear Function

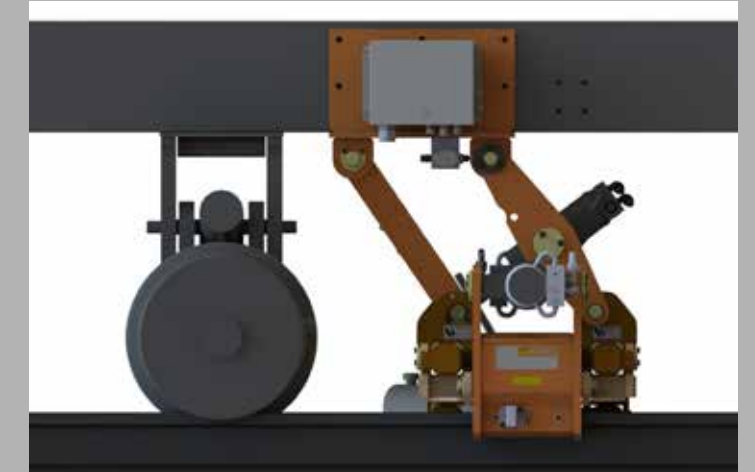
- 1) Stowed Position
- Attachment to truck frame 18"
 - Overall stowed length 37.35"



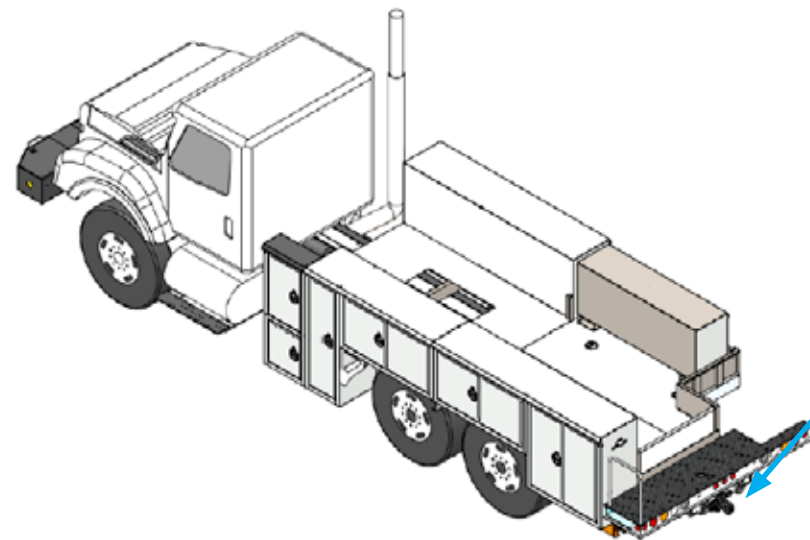
- 2) Standby Position
- Brake gear lowered by personnel to standby position
 - Indicator sensor will be placed on brake gear to ensure correct positioning



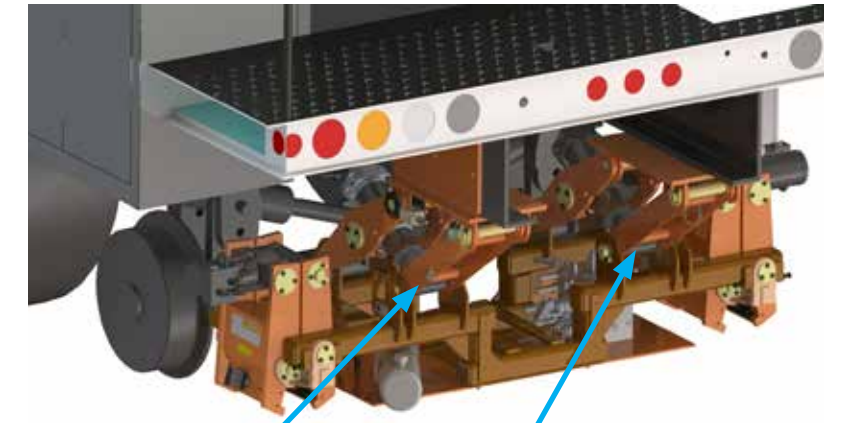
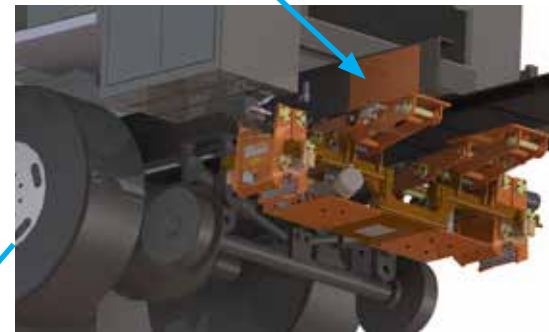
- 3) Engaged Position
- Emergency button pressed, brake gear lowers and clamps onto the rail
 - Friction generated from clamping force brings truck to a stop



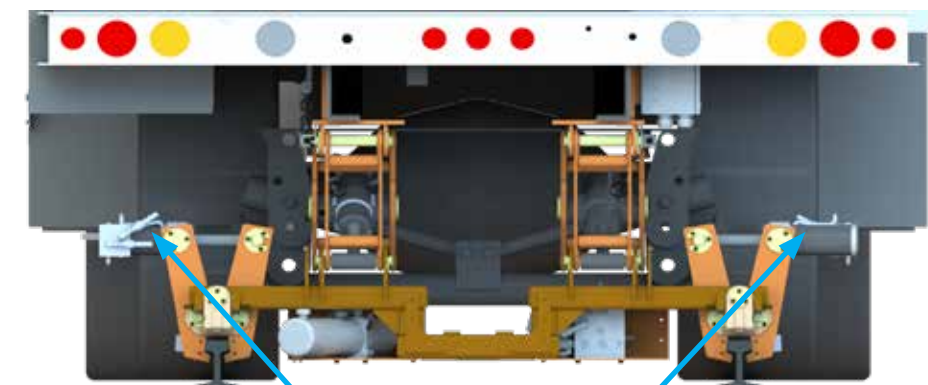
Rail Brake Gear Design



System bolts to existing truck frame



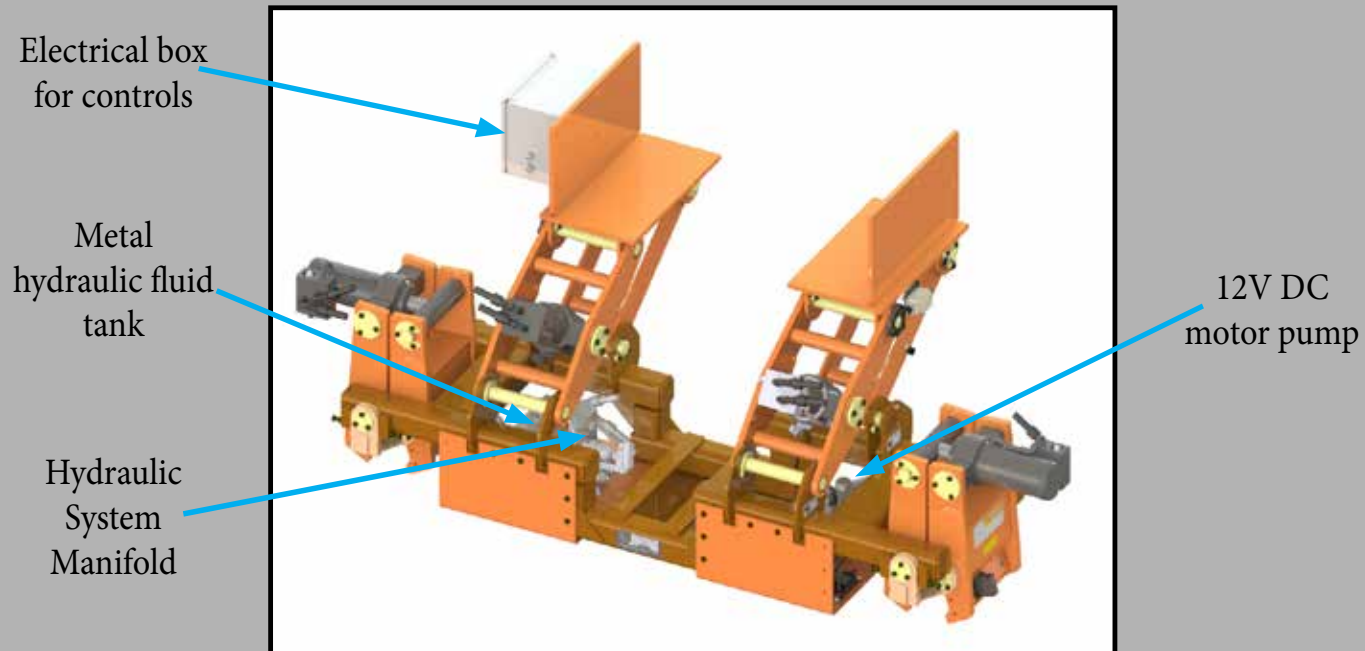
Carrier cylinders are attached to the fixed length linkages and lower the gear down to the rail when extended



Clamp cylinders extend once the gear is lowered into the correct position causing the break pads to be pressed against the rail

Self-Contained Unit

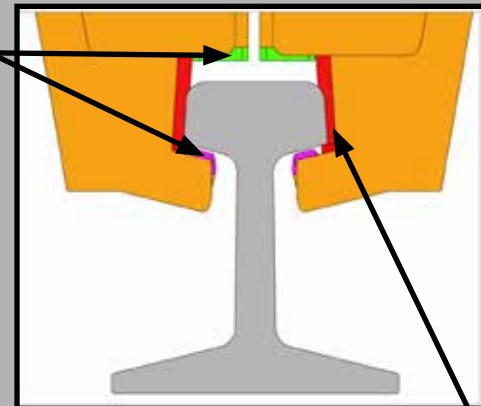
The brake gear will be self-contained unit that only requires a 12V DC power source from the truck. Therefore, matching the hydraulic system of each different truck will not be an issue.



Brake Pad Design

Grease grooves to help get more contact between brake material and rail

Brake pad on top and bottom to ensure the clamp does not slip off the rail

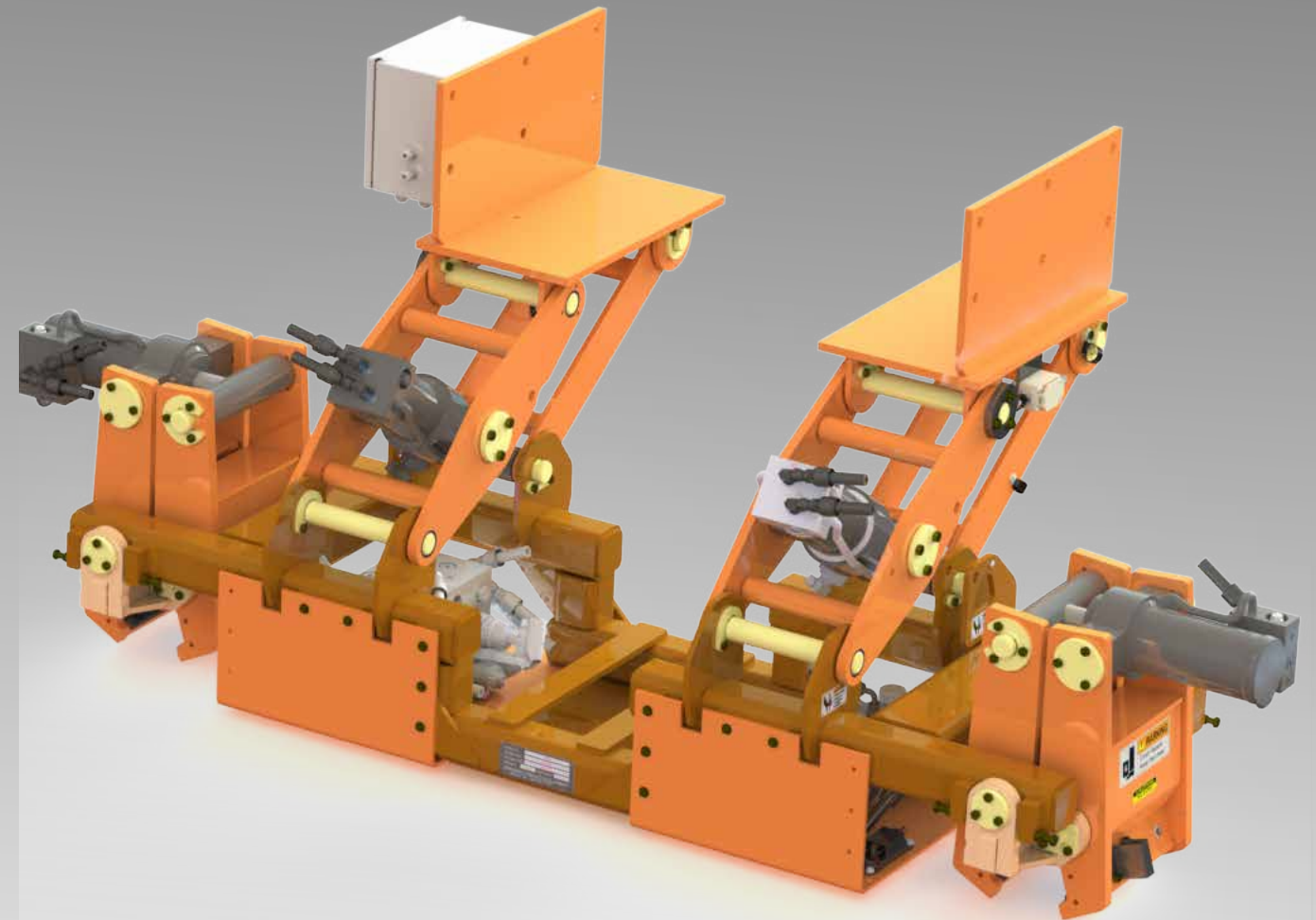


Brake pad on side for main contact with rail. Pad will be bolted to backing plate, backing plate & attached pad will be replaceable

U.S. Patent Pending

RailWise

Rail Brake



RailWise



SAFELY KEEPING YOU ON TRACK

Material and specifications are subject to change without notice. Units in photos may include optional features. Contact a RailWise representative for available options. RailWise® and the RailWise logo are registered trademarks of Fritel & Associates, LLC and may not be used without permission. © 2024 Diversified Product Development All Rights Reserved.

RW 254-757-1177 | sales@hirail-wise.com | hirail-wise.com

254-757-1177 | sales@hirail-wise.com | hirail-wise.com